

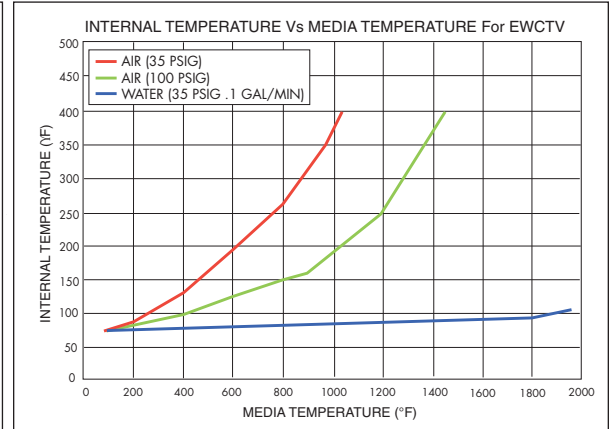
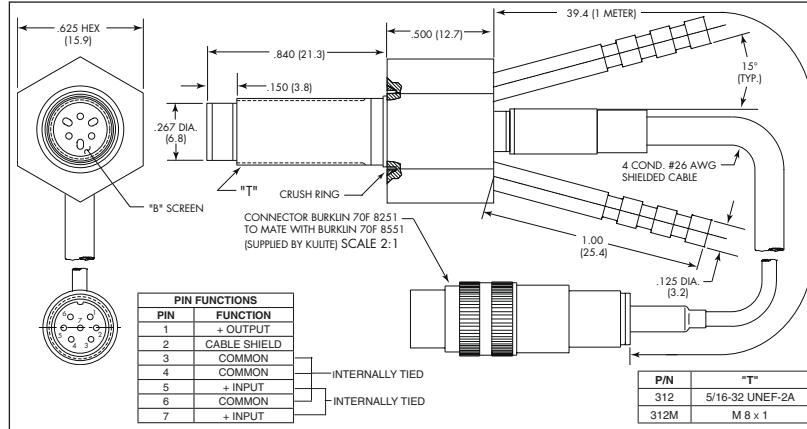


## WATER/AIR COOLED 5VDC OUTPUT TRANSDUCER

### EWCTV-312 (M)

- High Bandwidth With Integrated Amplifier
- Patented Leadless Technology **VIS**<sup>®</sup>
- Superior Thermal Protection
- Both Dynamic and Static Output Capabilities
- Extreme Temperature Capabilities Such As Required In Exhaust Systems

Kulite introduces a new compact Water Cooled Pressure Transducer for both dynamic and static pressure measurements in extreme temperature environments such as automotive and turbine exhaust systems. The EWCTV-312 combines Kulite's patented Leadless Silicon Technology and a Miniature Water Cooled Jacket to provide pressure measurement capabilities previously unavailable.



<b>INPUT</b>	Pressure Range	1.7 25	3.5 50	7 100	14 200	21 300	35 500	70 1000	140 BAR 2000 PSI	
	Operational Mode	Absolute, Sealed Gage								
	Over Pressure	2 Times Rated Pressure								
	Burst Pressure	3 Times Rated Pressure								
	Pressure Media	Compatible With Exhaust Gases and Fluids and Most Liquids and Gases Compatible With SiO <sup>2</sup> And 15-5 PH Stainless Steel (Please Consult Factory)								
	Maximum Electrical Current	25mA								
<b>OUTPUT</b>	Rated Electrical Excitation	12 ± 4 VDC			28 ± 4 VDC			28 ± 4 VDC		
	Full Scale Reading	5 V ± 150mV			5 V ± 150mV			10 V ± 300mV		
	Output Impedance	200 Ohms (Nom.)								
	Frequency Response	Flat to 5000 Hz (±2dB) Typical								
	Residual Unbalance	0.5V ±100mV								
	Combined Non-Linearity, Hysteresis and Repeatability	± 0.1% FSO BFSL (Typ.) ± 0.5% FSO (Max.)								
	Resolution	Infinitesimal								
	Insulation Resistance	100 Megohm Min. @ 50 VDC								
<b>ENVIRONMENTAL</b>	Operating Temperature Range	75°F to +2000°F (24°C to +1093°C) (Front End) -4°F to +185°F (-20°C to +85°C) (Connector and Amplifier)								
	Water Flow Rate	.15 Gal/Min (Typ.)								
	Linear Vibration	10-2,000 Hz Sine, 100g. (Max.)								
	Mechanical Shock	20g half Sine Wave 11 msec. Duration								
<b>PHYSICAL</b>	Electrical Connection	Burklin 70F 8251 Connector (Mating Connector Supplied)								
	Weight	50 Grams (Approx.) Excluding Cable and Connector								
	Pressure Sensing Principle	Fully Active Four Arm Wheatstone Bridge Dielectrically Isolated Silicon on Silicon Patented Leadless Technology								
	Mounting Torque	50 Inch-Pounds (Max.) 6Nm								

Note: Custom pressure ranges, accuracies and mechanical configurations available. Dimensions are in inches. Dimensions in parenthesis are in millimeters. All dimensions nominal. (J) Continuous development and refinement of our products may result in specification changes without notice. Copyright © 2014 Kulite Semiconductor Products, Inc. All Rights Reserved. Kulite miniature pressure transducers are intended for use in test and research and development programs and are not necessarily designed to be used in production applications. For products designed to be used in production programs, please consult the factory.