

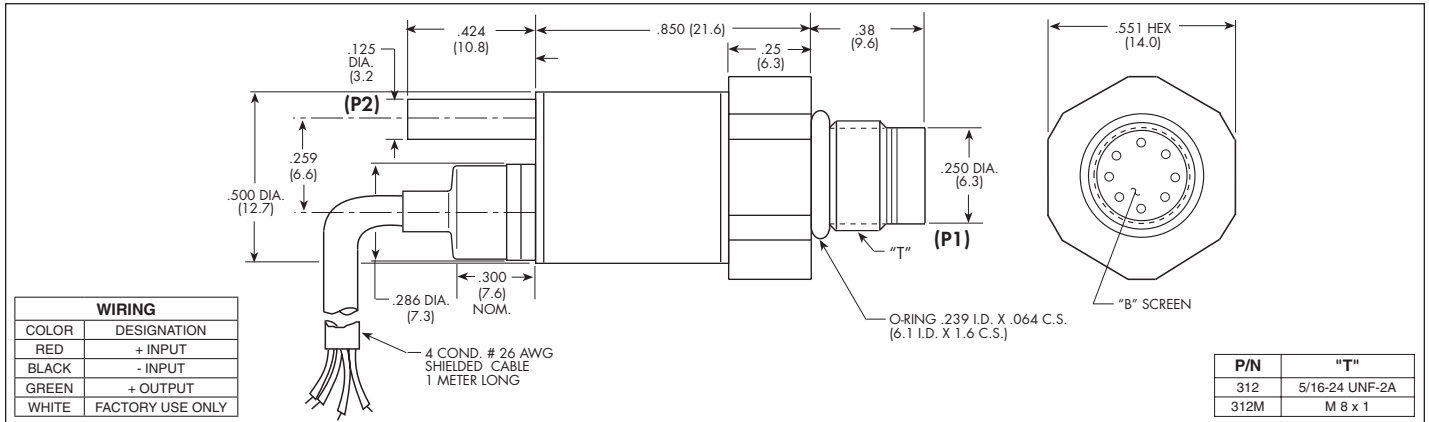


DIGITALLY CORRECTED MINIATURE 5VDC OUTPUT PRESSURE TRANSDUCER

ET-3DC-312(M) SERIES

- Differential Pressure
- Robust Construction
- Digitally Corrected
- High Accuracy
- Silicon on Silicon Integrated Sensor **VIS®**

The ET-3DC-312 series is a highly accurate unidirectional differential pressure transducer meant to measure very low pressure differences. It is ideal for use in air speed measurements using pitot tubes. It can also be used for flow measurements or any other application where high accuracy is needed when measuring small pressures.



INPUT	Pressure Range	.14 2	.35 5	.7 10	1.4 BAR 20 PSI
	Operational Mode	Differential			
	Over Pressure	2 Times Rated Pressure			
	Burst Pressure	3 Times Rated Pressure			
	Pressure Media	All Nonconductive, Noncorrosive Liquids or Gases			
	Maximum Electrical Current	25 ma (Max.)			
	Rated Electrical Excitation	8 - 32 VDC			
OUTPUT	Full Scale Output (FSO)	5 VDC			
	Zero Unbalance (0 PSID)	0 VDC			
	Output Impedance	50 Ohms (Typ.)			
	Total Error Band	0.5% (Typ.) <i>(End Point Settings, Combined Non-Linearity, Hysteresis, Repeatability and All Thermal Effects Included)</i>			
	Bandwidth (-3dB)	DC to 2500 Hz			
	Resolution	Infinitesimal			
	Insulation Resistance	100 Megohm Min. at 50 VDC			
ENVIRONMENTAL	Operating Temperature Range	-40°F to +280°F (-40°C to +140°C) (Max.)			
	Compensated Temperature Range	-40°F to +250°F (-40°C to +120°C)			
	Linear Vibration	50g Peak, Sine 10 to 2000 Hz			
	Mechanical Shock	100g half Sine Wave 11 msec. Duration			
PHYSICAL	Electrical Connection	4 Conductor Viton Cable 1 Meter Long			
	Weight	21 Grams Excluding Cable			
	Sensing Principle	Fully Active Four Arm Wheatstone Bridge Dielectrically Isolated Silicon on Silicon			
	Torque	50 Inch-Pounds (Max.) 6Nm			

Note: Custom pressure ranges, accuracies and mechanical configurations available. Dimensions are in inches. Dimensions in parenthesis are in millimeters. All dimensions nominal. (J) Continuous development and refinement of our products may result in specification changes without notice. Copyright © 2014 Kulite Semiconductor Products, Inc. All Rights Reserved. Kulite miniature pressure transducers are intended for use in test and research and development programs and are not necessarily designed to be used in production applications. For products designed to be used in production programs, please consult the factory.